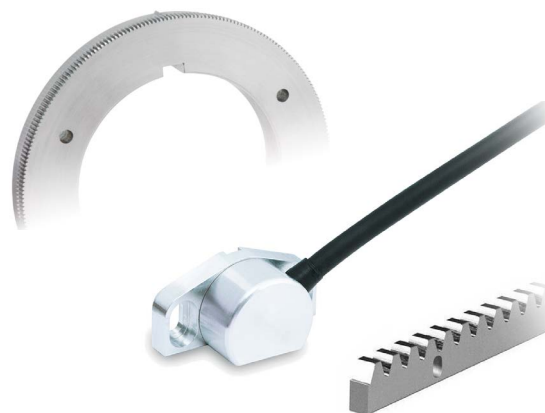


Series

SMG



- High speed gear and tooth sensor
- Position & speed feedback
- Compact design with IP68 protection
- Easy & precise alignment thanks to keyway
- For rotary targets (gears) with M0,3 & M0,5
- For linear targets with 1, 2, 3 mm pitch structures



SMG

ENVIRONMENTAL SPECIFICATIONS

Shock:	250 g, 6 ms acc. to CEI EN 60068-2-27
Vibrations:	10 g, 5-2000 Hz acc. to CEI EN 60068-2-6
Protection:	IP68
Operating temperature range:	-25°C ÷ +85°C (-13°F +185°F)
Storage temperature range:	-40°C ÷ +100°C (-40°F +212°F)

MECHANICAL SPECIFICATIONS

Dimensions:	see drawing
Electrical connections:	Lika Hi-flex cable M8 0,3 m or M12 8 pin inline plug
Gap between sensor/target:	SMG03: 0,19 mm max. SMG05: 0,31 mm max. SMG1: 0,2 mm max. SMG2: 0,4 mm max. SMG3: 0,6 mm max.
Travel speed (mechanical):	max 16 m/s
Measurement length:	for linear targets: target length - 2 teeth each side

ELECTRICAL SPECIFICATIONS

Interpolation factor:	up to 100 (only digital output)
Repeat accuracy:	Push-Pull, Line Driver: ±1 increment 1Vpp: max. 1% of period lenght
Output circuits:	1Vpp sine/cosine, Line Driver, Push-Pull
Output signals:	AB /AB, ABO /ABO
Input frequency:	200 kHz max.
Power supply:	+5Vdc ±5%
Consumption:	25 mA typ., 50 mA max.
Protection:	against short-circuit
EMC:	acc. to EN 61000-6-2 level 3

MATERIALS

Housing materials:	Anticorodal, UNI EN AW-6082
Materials of target wheel/rack:	Ferromagnetic steel
Width of target:	min. 4 mm, min. 8 mm with reference

ACCESSORIES

E-M12F8:	M12 8 pin mating connector
EC-M12F8-LK-M8-5:	cordset 5 meters with M12 conn.
EC-M12F8-LK-M8-10:	cordset 10 meters with M12 conn.

SMG - linear applications

				Resolution (pulses/tooth) vs. max. possible speed (m/s)				
Sensor	Order code	Edge distance (µsec)	Max. counting frequency (MHz)	100	32	16	8	1
SMG1	-	0,60	1,66	3,20	10,00	20,00	40,00	200,00
	H	0,20	5,00	10,00	30,00	60,00	120,00	240,00
SMG2	-	0,60	1,66	6,40	20,00	40,00	80,00	400,00
	H	0,20	5,00	20,00	60,00	120,00	240,00	480,00
SMG3	-	0,60	1,66	9,6	30,00	60,00	120,00	600,00
	H	0,20	5,00	30,00	90,00	180,00	360,00	720,00
SMG03	-	0,60	1,66	3,00	9,00	18,00	36,00	180,00
	H	0,20	5,00	9,00	27,00	54,00	108,00	180,00
SMG05	-	0,60	1,66	5,00	15,00	30,00	60,00	300,00
	H	0,20	5,00	15,00	45,00	90,00	180,00	300,00

other resolutions available on request

SMG - rotary applications

			SMG03, SMG05 Fi values vs. Resolution				
Order code	Edge distance (µsec)	Max. counting frequency (MHz)	100	32	16	8	1
-	0,60	1,66	3,33	10,42	20,83	41,67	200,00
H	0,20	5,00	10,00	31,25	62,50	125,00	200,00

other resolutions available on request

Calculation formula

Fi = Input frequency (kHz). See table above for Fi values according to Edge distance and Resolution

Z = Nr. of teeth (depending on the selected tooth-wheel)

$$\text{RPM} = \frac{\text{Fi} \times 60000}{Z}$$

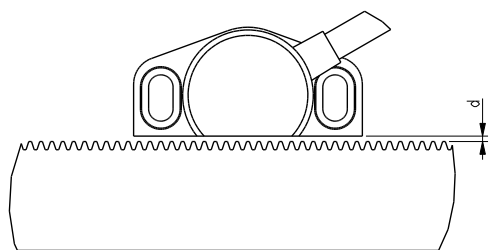
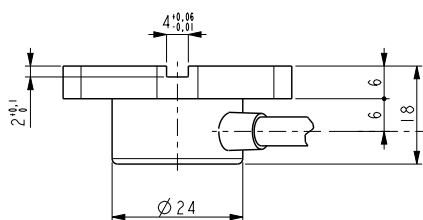
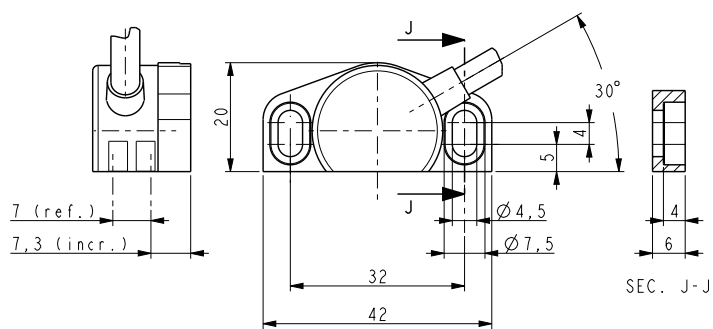
Example:

SMG03-L-1-16-N-L1-H and a tooth-wheel with 512 teeth

Fi = 20,83

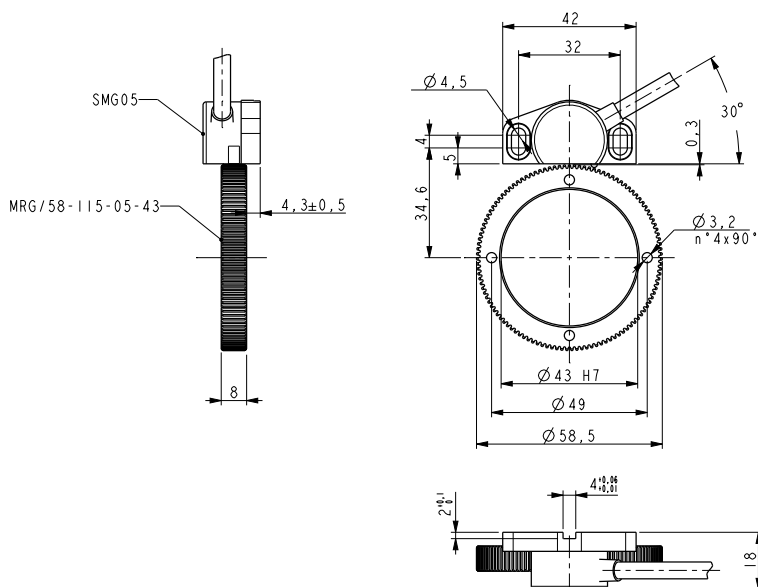
Z = 512

RPM max. = $62,50 \times 60000 / 512 = 7324$ rpm max.



SMG on linear tooth structures

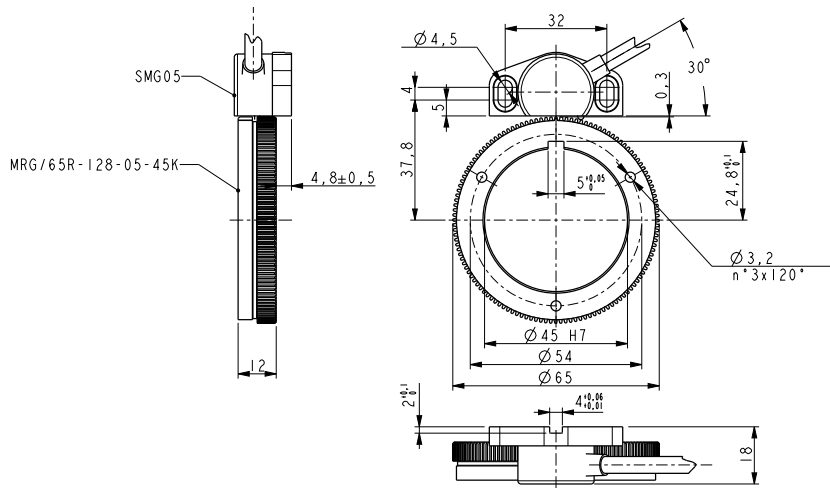
Toothed-structure with pitch 1, 2, 3 mm on linear targets
(contact Lika for further information)



MRG/58 tooth-wheel specification

Order code	MRG/58-115-05-43
Nr. of teeth	115
Reference mark	no
Use with	SMG05

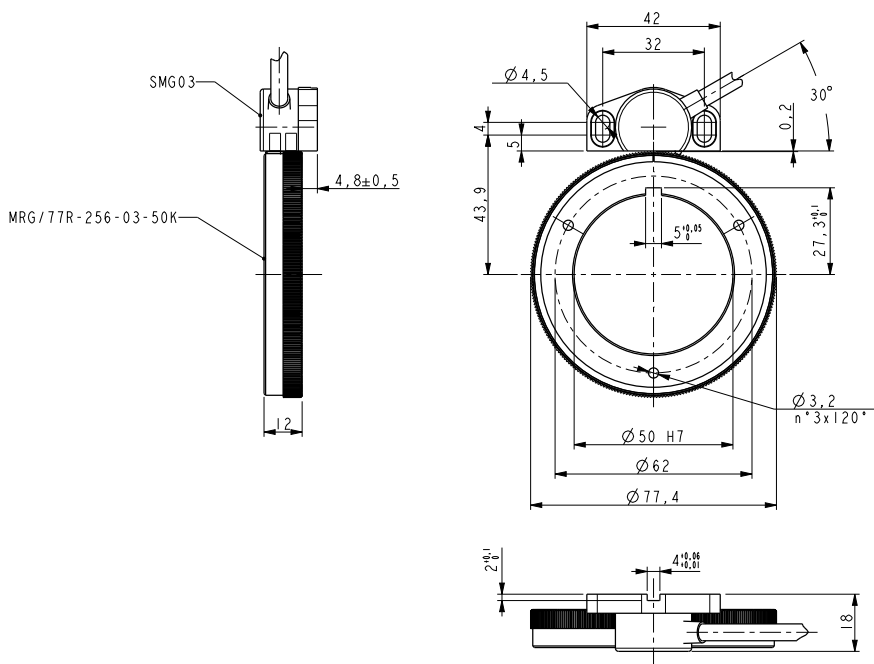
SMG05 - MRG/58



MRG/65R tooth-wheel specification

Order code	MRG/65R-128-05-45K
Nr. of teeth	128
Reference mark	yes
Use with	SMG05

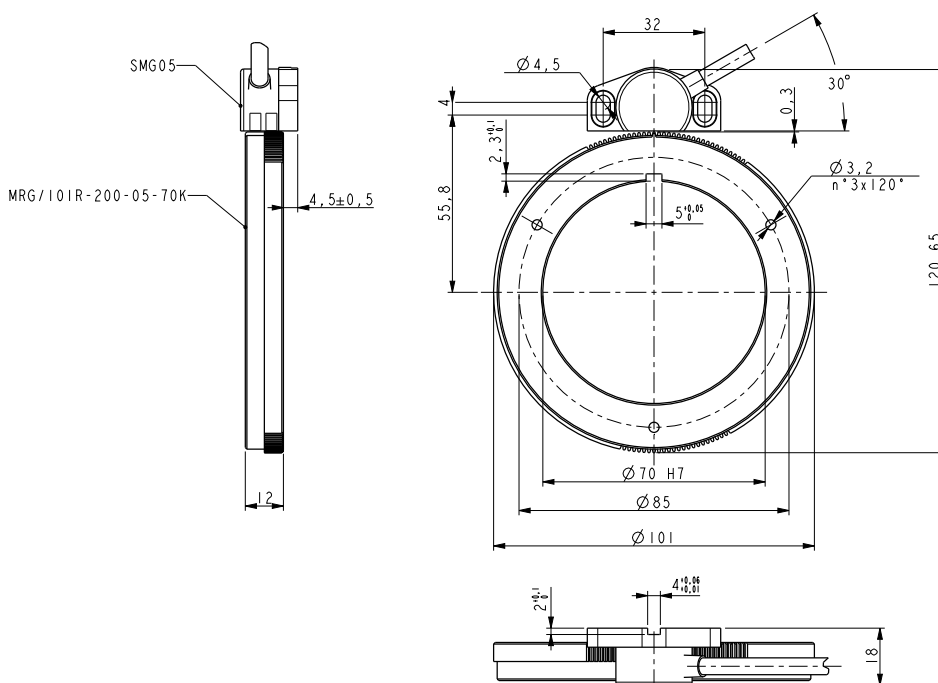
SMG05 - MRG/65R



MRG/77R tooth-wheel specification

Order code	MRG/77R-256-03-50K
Nr. of teeth	256
Reference mark	yes
Use with	SMG03

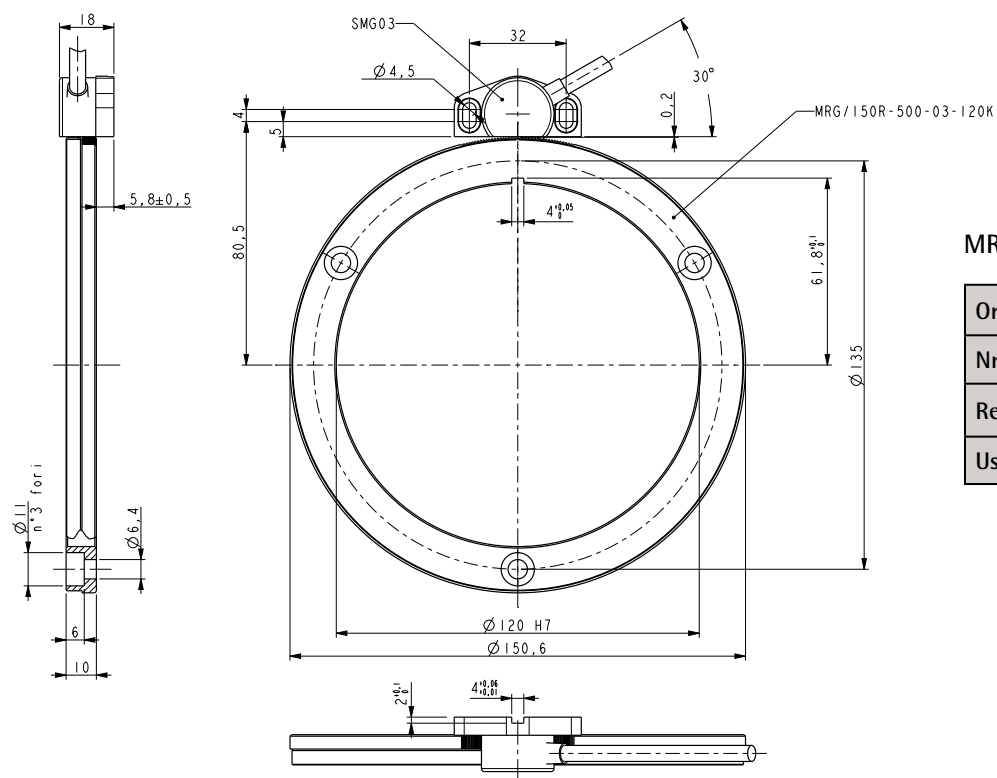
SMG03 - MRG/77R



MRG/101R tooth-wheel specification

Order code	MRG/101R-200-05-70K
Nr. of teeth	200
Reference mark	yes
Use with	SMG05

SMG05 - MRG/101R



MRG/150R tooth-wheel specification

Order code	MRG/150R-500-03-120K
Nr. of teeth	500
Reference mark	yes
Use with	SMG03

SMG03 - MRG/150R

Order code

SMG03 SMG05	-	X Ⓐ	-	X Ⓑ	-	XXX Ⓒ	-	XX Ⓓ	-	XXX Ⓔ	-	X Ⓕ	/Sxxx Ⓖ
----------------	---	--------	---	--------	---	----------	---	---------	---	----------	---	--------	------------

Ⓐ OUTPUT CIRCUIT

Y = Push-Pull (AB)
L = Line Driver (AB /AB)

Ⓑ POWER SUPPLY

1 = +5Vdc ±5%

Ⓒ RESOLUTION

1 = 1 pulse/tooth
8 = 8 pulses/tooth
16 = 16 pulses/tooth
32 = 32 pulses/tooth
100 = 100 pulses/tooth

Ⓓ INDEX

N = without
R = with reference type R

Ⓔ CONNECTIONS

0,3 = cable output 0,3 m
Lx = cable output x m
M0,5 = 0,5 m cable + M12 8 pin inline connector

Ⓕ EDGE DISTANCE (see edge distance selection)

- = 0,6 μs (standard value)
H = 0,2 μs

Ⓖ CUSTOM VERSION

Order code

SMG03 SMG05	-	X Ⓐ	-	X Ⓑ	-	XXX Ⓒ	-	XX Ⓓ	-	XXX Ⓔ	-	/Sxxx Ⓕ
----------------	---	--------	---	--------	---	----------	---	---------	---	----------	---	------------

Ⓐ OUTPUT CIRCUIT

V = 1 Vpp sine/cosine (AB /AB)

Ⓑ POWER SUPPLY

1 = +5Vdc ±5%

Ⓒ RESOLUTION

1 = 1 pulse/tooth

Ⓓ INDEX

N = without
R = with reference type R (1Vpp level)

Ⓔ CONNECTIONS

0,3 = cable output 0,3 m
Lx = cable output x m
M0,5 = 0,5 m cable + M12 8 pin inline connector

Ⓕ CUSTOM VERSION

Order code

SMG1 SMG2 SMG3	-	X Ⓐ	-	X Ⓑ	-	XXX Ⓒ	-	XX Ⓓ	-	XXX Ⓔ	-	X Ⓕ	/Sxxx Ⓖ
----------------------	---	--------	---	--------	---	----------	---	---------	---	----------	---	--------	------------

Ⓐ OUTPUT CIRCUIT

Y = Push-Pull (AB)
L = Line Driver (AB /AB)

Ⓑ POWER SUPPLY

1 = +5Vdc ±5%

Ⓒ RESOLUTION

1 = 1 pulse/tooth
8 = 8 pulses/tooth
16 = 16 pulses/tooth
32 = 32 pulses/tooth
100 = 100 pulses/tooth

Ⓓ INDEX

N = without
R = with reference type R

Ⓔ CONNECTIONS

0,3 = cable output 0,3 m
Lx = cable output x m
M0,5 = 0,5 m cable + M12 8 pin inline connector

Ⓕ EDGE DISTANCE (see edge distance selection)

- = 0,6 μs (standard value)
H = 0,2 μs

Ⓖ CUSTOM VERSION

Order code

SMG1 SMG2 SMG3	-	X Ⓐ	-	X Ⓑ	-	XXX Ⓒ	-	XX Ⓓ	-	XXX Ⓔ	-	X Ⓕ	/Sxxx Ⓖ
----------------------	---	--------	---	--------	---	----------	---	---------	---	----------	---	--------	------------

Ⓐ OUTPUT CIRCUIT

V = 1 Vpp sine/cosine (AB /AB)

Ⓑ POWER SUPPLY

1 = +5Vdc ±5%

Ⓒ RESOLUTION

1 = 1 pulse/tooth

Ⓓ INDEX

N = without
R = with reference type R (1Vpp level)

Ⓔ CONNECTIONS

0,3 = cable output 0,3 m
Lx = cable output x m
M0,5 = 0,5 m cable + M12 8 pin inline connector

Ⓕ EDGE DISTANCE (see edge distance selection)

- = 0,6 μs (standard value)
H = 0,2 μs

Ⓕ CUSTOM VERSION